



## 6' Picnic Table Plans

Build table from pressure treated lumber. Material list provided on plans

### Tools Required:

- Circular Saw
- Framing Square
- 10' Tape measure
- Electric Drill
- 3/8 Drill bit
- #2 Philips Apex Bit
- 9/16 Wrench
- Hammer
- Orbital Sander (optimal)
- 80 Grit Sand paper



Cut all materials according to the Plans

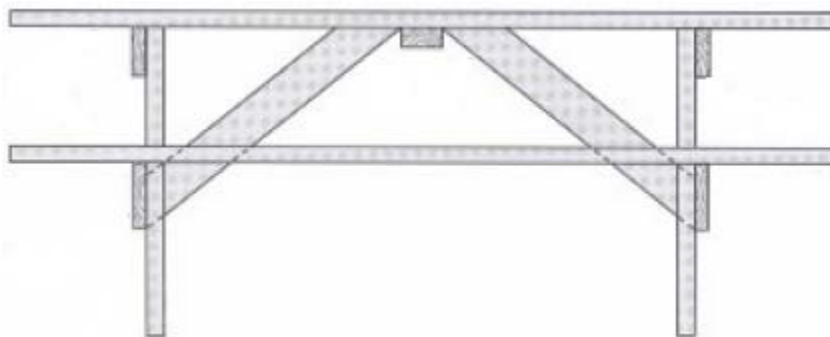
Sand all edges before assembly to remove possible splinters from edges.

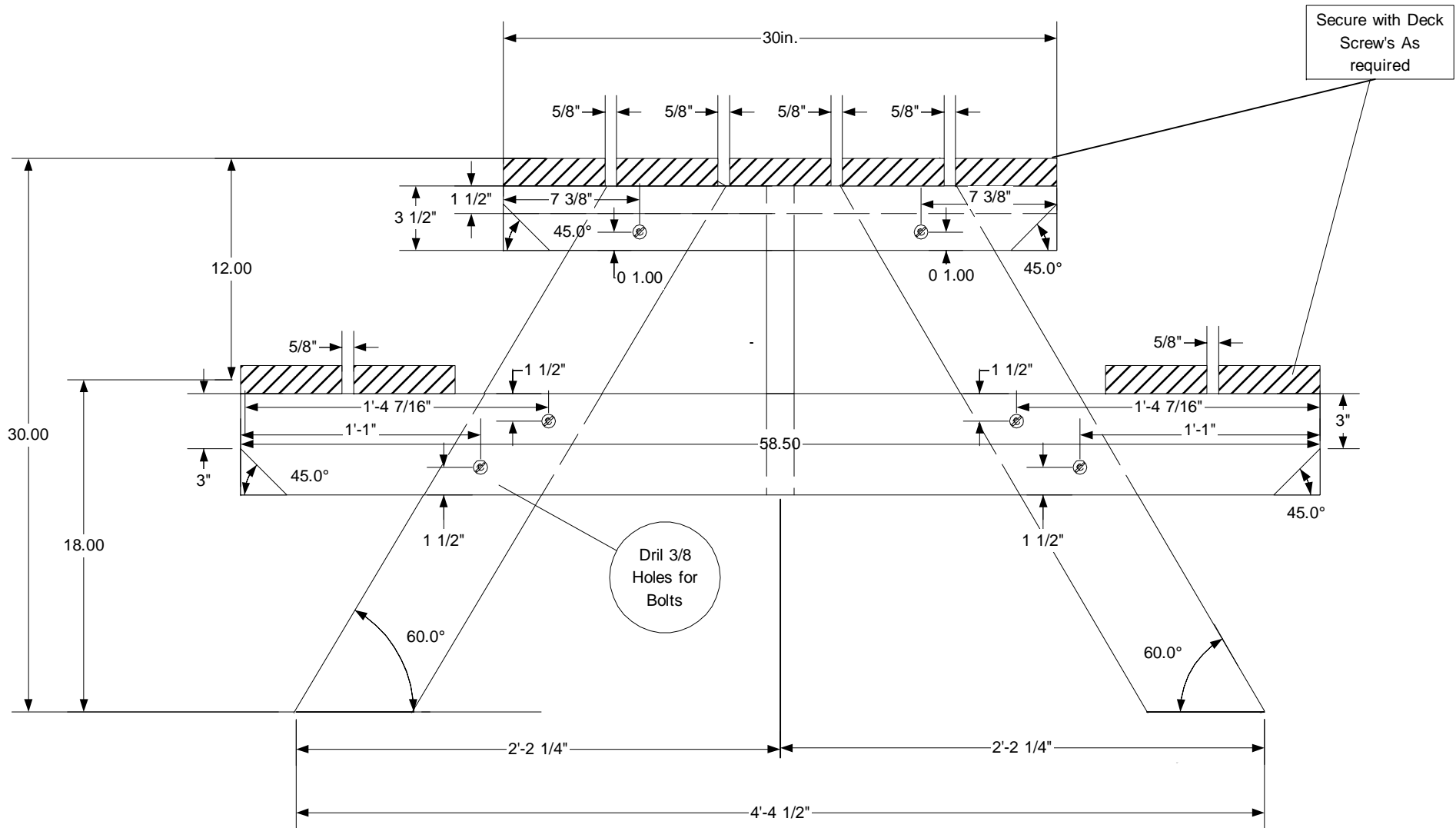
Using 2 1/2" Deck screws attach Leg's to Cross brace's and then Drill for 3/8 carriage bolts as called out in the plans

Using 3/8 Carriage bolts secure table leg's to Cross braces as called out in the plans

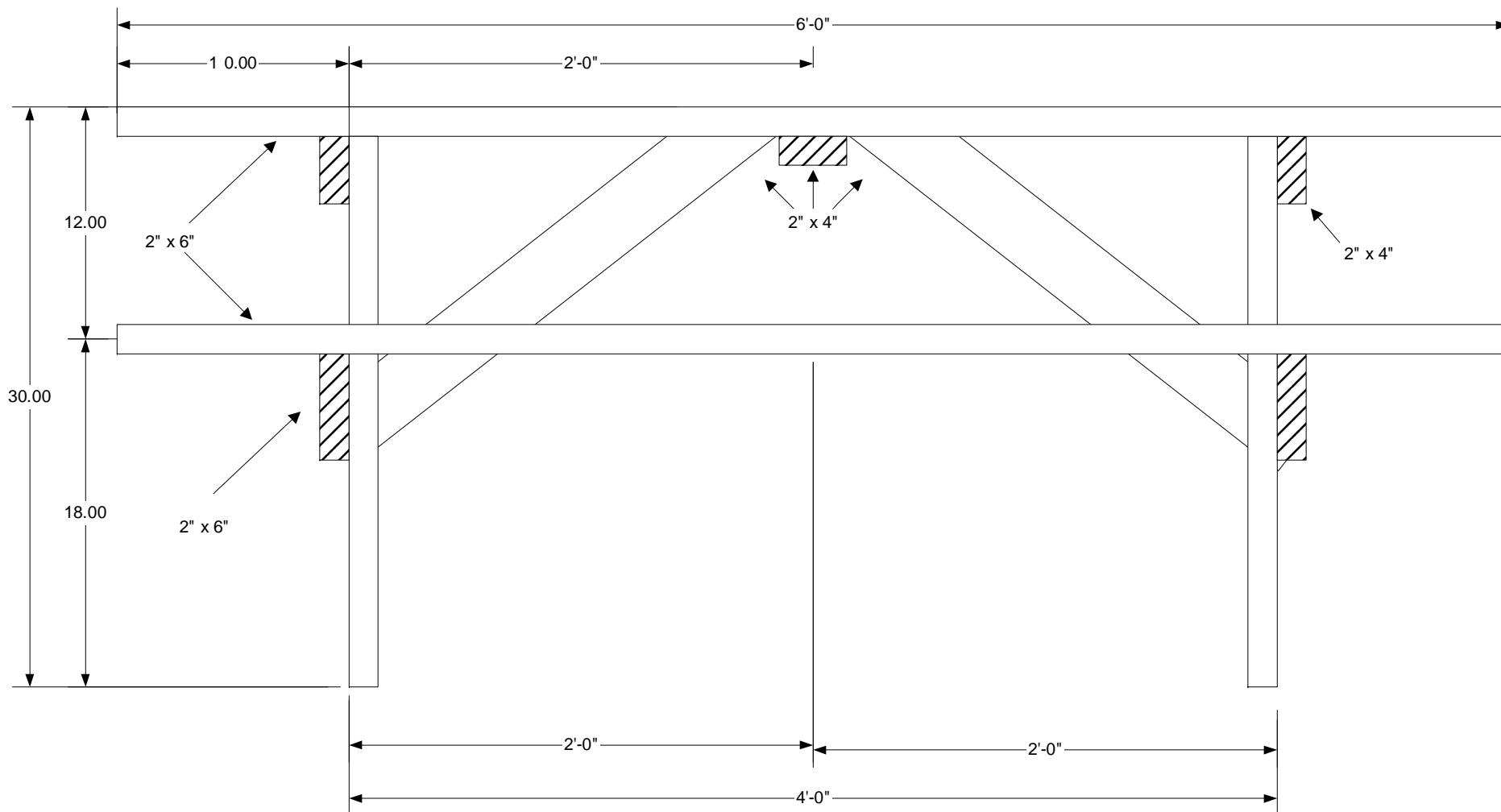
Using 2 1/2" Deck screws as required secure tabletop boards, Seat planks, to Leg cross braces as called out in the plans.

Using 2 1/2" Deck screws as required secure center brace to bottom of table as shown in the planes attach both Diagonal Braces to the bottom of the table and to the lower leg cross Brace



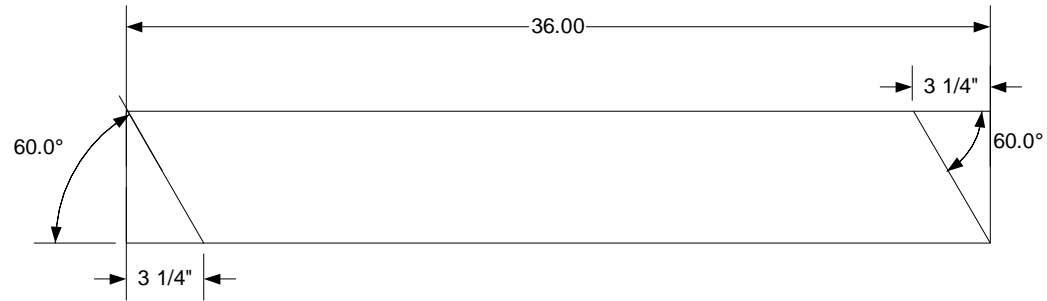


<b>Lumber:</b> Seat, Top, Legs: (6) 2"x6" - 12' Seat Support: (1) 2"x6" - 10' Table Supports, Braces (2) 2"x4" - 10' <b>Hardware:</b> (12) Galvanized Carriage Bolts 3/8"x3 1/2" (12) 3/8" Flat Washers (12) 3/8" Nuts 2 1/2" Deck Screws As required					MVSr Picnic Table			
					Side View			
SIZE	FSCM NO	DWG NO		REV				
		MVSr -001		0				
SCALE	1 1/2" = 1'-0"		SHEET	1 OF 3				

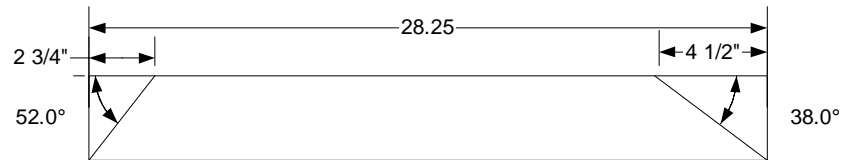


<b>Lumber:</b> Seat, Top, Legs: (6) 2"x6" - 12' Seat Support: (1) 2"x6" - 10' Table Supports, Braces (2) 2"x4" - 10' <b>Hardware:</b> (12) Galvanized Carriage Bolts 3/8"x31/2" (12) 3/8" Flat Washers (12) 3/8" Nuts 2 1/2" Deck Screws As required					MVSr Picnic Table				
					Side View				
SIZE	FSCM NO	DWG NO		REV					
		MVSr -002		0					
SCALE 1 1/2" = 1'-0"			SHEET		2 OF 3				

**Table Leg Detail**  
(4 Required)



**Diagonal Brace**  
(2 Required)



<b>Lumber:</b> Seat, Top, Legs: (6) 2"x6" - 12' Seat Support: (1) 2"x6" - 10' Table Supports, Braces (2) 2"x4" - 10' <b>Hardware:</b> (12) Galvanized Carriage Bolts 3/8"x31/2" (12) 3/8" Flat Washers (12) 3/8" Nuts 2 1/2" Deck Screws As required	MVSR Picnic Table			
	Table Leg & Diagonal Brace			
	SIZE	FSCM NO	DWG NO MVSR -003	REV 0
	SCALE 1 1/2" = 1'-0"		SHEET	3 OF 3